

OMBRA®



Instructions for Use | Instrucciones de uso

Manufactured by:
Monaghan Medical Corp.
5 Latour Avenue, Suite 1600
Plattsburgh, NY 12901
Phone: +1-800-833-9653
Fax: +1-518-561-5088
customerservice@monaghanmed.com
www.monaghanmed.com

Rx ONLY

Quantity: 1



63703-02, AWA637-01
™ and ® are trademarks and registered trademarks of Monaghan Medical Corporation or an affiliate of Monaghan Medical Corporation. † trademarks and registered trademarks of the respective companies. © 2018-2019 Monaghan Medical Corporation. www.monaghanmed.com

ENGLISH

INDICATIONS FOR USE

The **Ombra®** Table Top Compressor is designed to deliver compressed air to a jet or pneumatic nebulizer. This compressor may be used with adult, child or pediatric patients. The **Ombra®** Table Top Compressor is a medical device, and should only be used as directed by your healthcare professional. The intended environments for use include the home, hospitals and clinics.

The compressor can be used with small volume jet or pneumatic nebulizers, such as the **MC 300®** R Nebulizer. The compressor might be appropriate for use with nebulizers other than those listed; however appropriate performance has not been validated. To ensure appropriate performance of this compressor with another nebulizer, we recommend attaching a flow meter to ensure the nebulizer's labeled flow requirements are met. If you are unsure if your nebulizer is compatible with the **Ombra®** Table Top Compressor, please consult with your healthcare professional before use as it could affect the effectiveness of your treatment.

Be sure to read all of the instructions before using your new **Ombra®** Table Top Compressor. These instructions should be stored in a safe place for future reference as this booklet contains important information about the proper functioning of your compressor. Failure to observe these instructions may result in injury and/or damage to the compressor.

IMPORTANT SAFETY INFORMATION

The following statements will be used to draw attention to potential use errors that could cause harm.

NOTE - Indicates information to which the user should pay special attention.

CAUTION - Information for preventing damage to the product.

WARNING - Important safety information for hazards that could cause serious injury.

DANGER - Urgent safety information for hazards that will cause serious injury or death.

ELECTRICAL SAFETY

As with any electrical device, extra precautions should be taken to prevent injury or death. Special attention should be paid when using electrical appliances around young children. Always unplug the compressor when not in use.

DANGER: To reduce the risk of serious injury or death from electrocution:

- Do not use or store this device where it can fall or be pulled into water or other liquid, such as a bathtub or sink. Do not use while bathing. Do not immerse the power cord or unit in water or another liquid.
- If the compressor falls into water or other liquid, do not reach for it. Unplug the compressor immediately.
- If the power cord appears damaged or frayed, the compressor should not be used and should be unplugged immediately.

WARNING: To prevent serious injury, fire or burns and to reduce the risk of damage to the product:

1. Ensure you are using the correct compressor for the voltage and current available. This information will be printed on the label on the bottom of your compressor. The polarized plug will only fit fully into the electrical outlet when it is positioned the correct way. If you are having difficulty plugging the compressor in, reversing the plug may resolve this.
2. The **Ombra®** Table Top Compressor should be unplugged when not in use. Do not plug the compressor into an electrical outlet that makes it hard to disconnect from the power source or where the outlet is hard to access.

3. Never operate the compressor if:
 - a. It appears to have damage to the power cord, power cord connection or plug;
 - b. It has been dropped or damaged;
 - c. It has been exposed or dropped into water or other liquids;
 - d. It does not appear to be operating properly.

If any of these occur, return the compressor to your **Ombra®** Authorized Dealer for replacement.

4. Keep any electrical cords away from sources of heat and avoid overloading electrical outlets.
5. Never use the compressor when sleeping or drowsy. Do not run this product unattended.
6. Do not operate or store the compressor where the **AIR VENTS** may be obstructed as this may cause the compressor to overheat. The **Ombra®** Table Top Compressor has a safety feature that will automatically shut off the compressor if it overheats. If this occurs, wait 30 minutes before turning the compressor back on.
7. The compressor surfaces may become hot during prolonged treatments. Allow surfaces to cool before handling to avoid contact burns.
8. Compressor should be used on a clean, flat surface. Do not use or store the compressor in areas where there is excessive dust or particulate matter in the air. Compressor should only be used indoors.
9. This compressor should not be used near where oxygen is being administered or in the presence of any flammable material and/or gas.
10. Never drop or insert any object into any openings.
11. Ensure the compressor is unplugged prior to cleaning. Do not use harsh cleaners or chemical sprays on the exterior housing of the compressor or its on/off switch.
12. The **Ombra®** Table Top Compressor could cause interference with some types of electronic equipment. To reduce the risk of interference, move it further away from the electrical equipment.
13. Use this compressor only for its intended use as described in this guide. Do not open or disassemble the **Ombra®** Table Top Compressor. Refer all servicing to your **Ombra®** Authorized Dealer. Opening or disassembling the **Ombra®** Table Top Compressor voids any warranty.
14. Do not use attachments not recommended by the manufacturer.

WARNING: Close supervision is necessary when this product is used by or near infants, children or anyone requiring assistance to use the device. It contains parts that may present a choking or strangulation hazard. DO NOT LEAVE CHILDREN UNATTENDED DURING TREATMENTS.

BEFORE YOU BEGIN

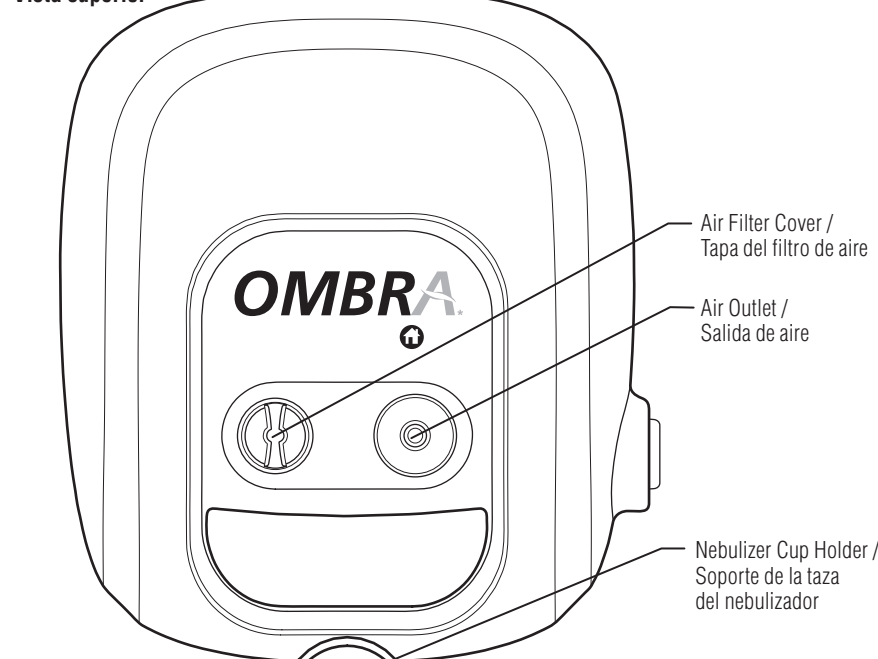
For compressor part descriptions see Figure 1.

Ensure you have thoroughly read and understood all of the instructions for use for your **Ombra®** Table Top Compressor before you begin your treatment. Keep your **INSTRUCTIONS FOR USE** in a safe place for future reference. To download an electronic copy of this **INSTRUCTIONS FOR USE**, visit www.monaghanmed.com

1. Place the compressor on a clean, flat surface or table top. Ensure there is nothing blocking the **AIR VENTS** on either side of the compressor. Verify that the **ON/OFF SWITCH** is in the 'Off' position.
2. Read and understand the instructions included with your nebulizer.
3. Assemble the nebulizer as instructed.
4. Connect one end of the nebulizer tubing to the fitting on the bottom of the nebulizer and the other end to the **AIR OUTLET** on the compressor. Ensure both ends are securely engaged. The nebulizer may then be placed in the **CUP HOLDER** on the compressor until you are ready to start your treatment as shown in Figure 3.
5. Plug the **Ombra®** Table Top Compressor into an electrical outlet.

FIGURE / FIGURA 1

Top View / Vista superior



Side View / Vista lateral

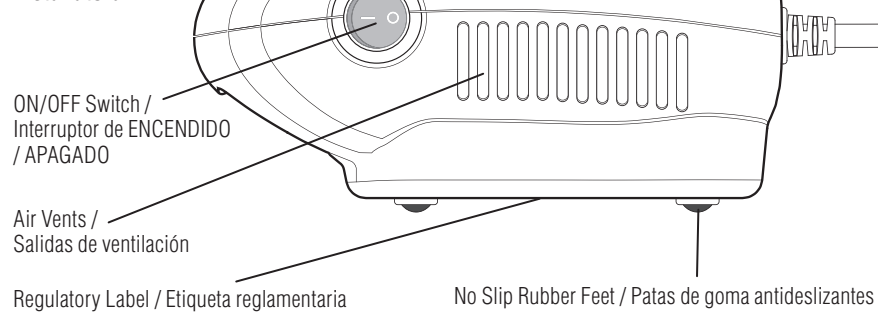
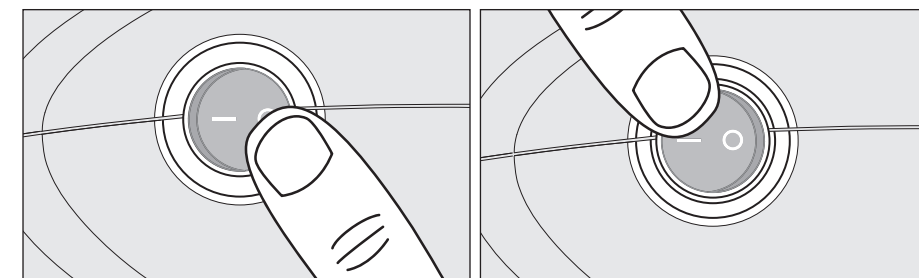


FIGURE / FIGURA 2



OFF / APAGADO

ON / ENCENDIDO

FIGURE / FIGURA 3

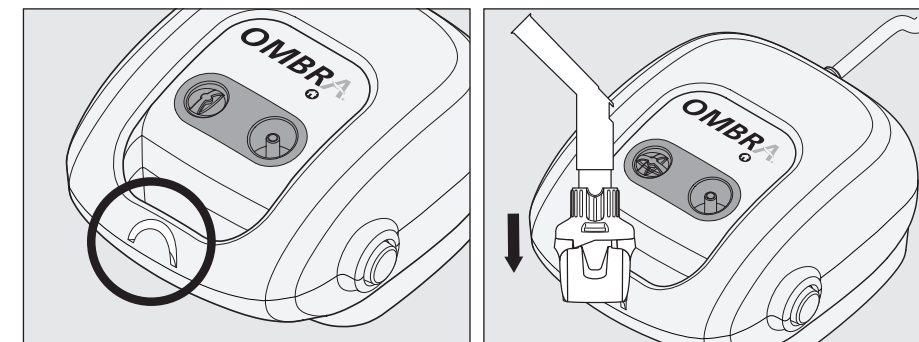
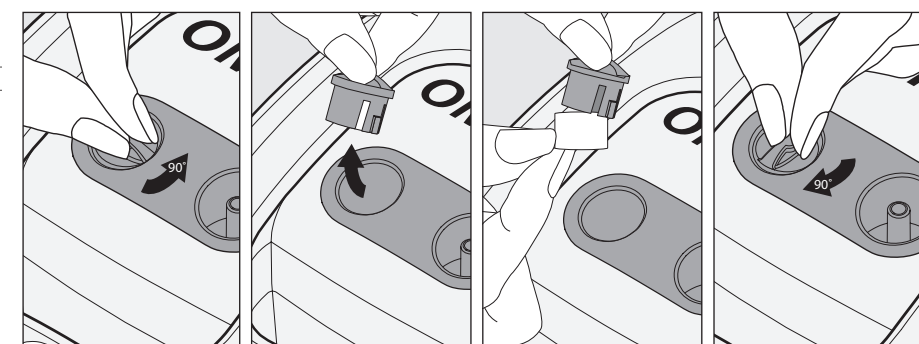


FIGURE / FIGURA 4



Temperature / Temperatura

Humidity / Humedad

Atmospheric conditions / Condiciones atmosféricas

Class II / Clase II

Indoor use only / Solo para uso en interiores

Consult instructions for use for safety information / Consulte las instrucciones de uso para conocer la información de seguridad

Consult instructions for use / Consulte las instrucciones de uso

Type BF Applied Part (mouthpiece) / Pieza aplicada tipo BF (boquilla)

Medical Equipment Compressor Nebulizer with Respect to Electrical Shock Fire and Mechanical Hazards Only in Accordance with UL60601-1. / Nebulizador de compresor de equipo médico con respecto a riesgos de descarga eléctrica, de incendios y mecánicos solo conforme a UL60601-1.

