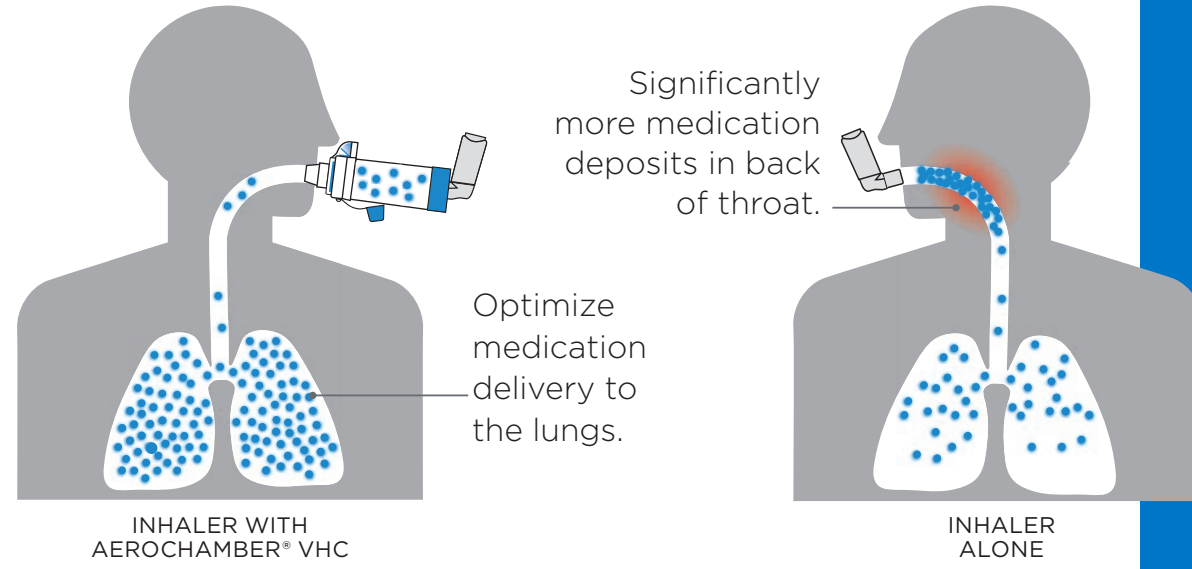


August 2023
 AC Flow-Vu Large Mask
 (Blue Carton)
 P/N 15370-00 ART-0370-00

Mid-York Press Inc
 job# 75342 9/13/23
 Monaghan Medical
 supplied file from artwork
 Large Mask Carton
 4+1/8 x 3+5/8 x 8+1/4
 reverse tuck - slit lock
 .016 sbs pgrm# s10591
 approved date

Helps ensure inhaler medication is delivered to the lungs.¹



AeroChamber
Plus **Flow-Vu**[®]
 Anti-Static Valved Holding Chamber

LARGE MASK

AeroChamber *Plus* Flow-Vu[®]

Anti-Static Valved Holding Chamber

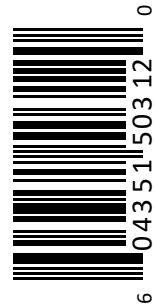
LARGE MASK
 For use with Metered Dose or Soft Mist inhalers.



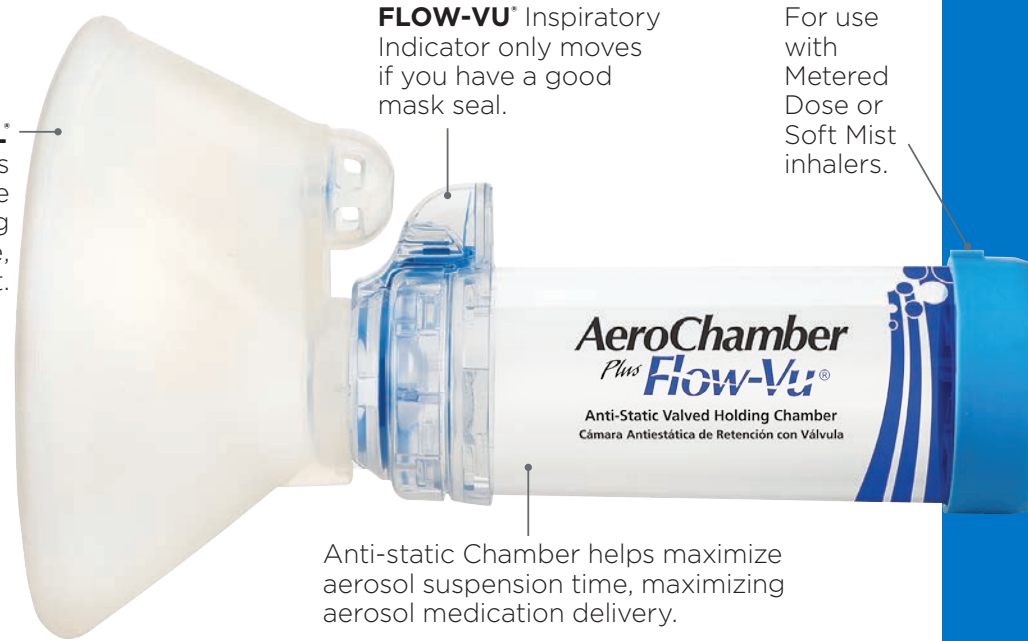
P/N 15370-00 08/2023 ART-0370-00

monaghan

Monaghan Medical Corporation
 Plattsburgh, New York 12901
monaghanmed.com
 518.561.7330 | phone
 800.833.9653 | toll free
 518.561.5088 | fax



COMFORTSEAL[™]
 Mask contours gently to the face providing a secure, comfortable fit.



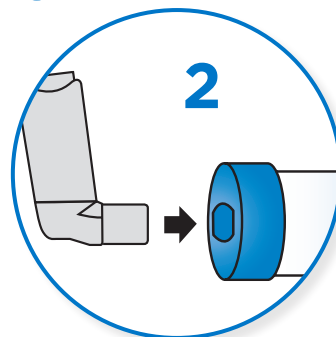
This device has not been made (or manufactured) with BPA (Bisphenol A) or Natural Rubber Latex.

R_x ONLY

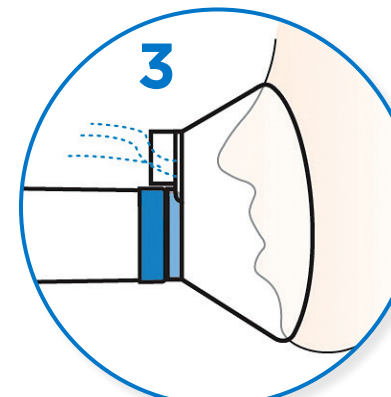
Easy to use.



Shake the inhaler.



Insert the inhaler into the back of the chamber.



Press inhaler and count for 5 to 6 breaths.



LEARN MORE

Top of the mask should sit on the bridge of the nose and the bottom should rest between the bottom of the lips and chin.



References: 1. McIvor RA et al. Can Respir J. 2018 Apr 4;2018:5076259
 Words or phrases accompanied by "™" and "®" are trademarks and registered trademarks of Monaghan Medical Corporation (MMC) or an affiliate of MMC.
 © 2023 MMC.